

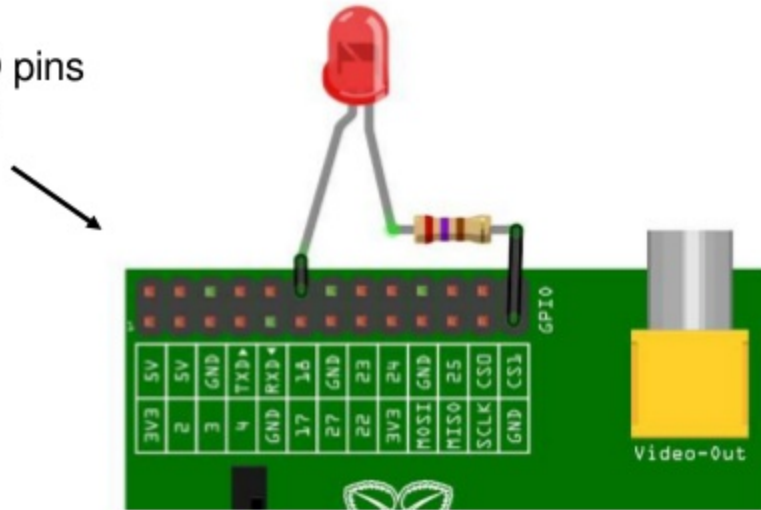
Raspberry PI

The GPIO's

What does GPIO mean?

GPIO stands for General Purpose Input/Output. They are 'general purpose' because you can use them for a range of purposes.

These are the GPIO pins on the Raspberry Pi



Momentary Switch



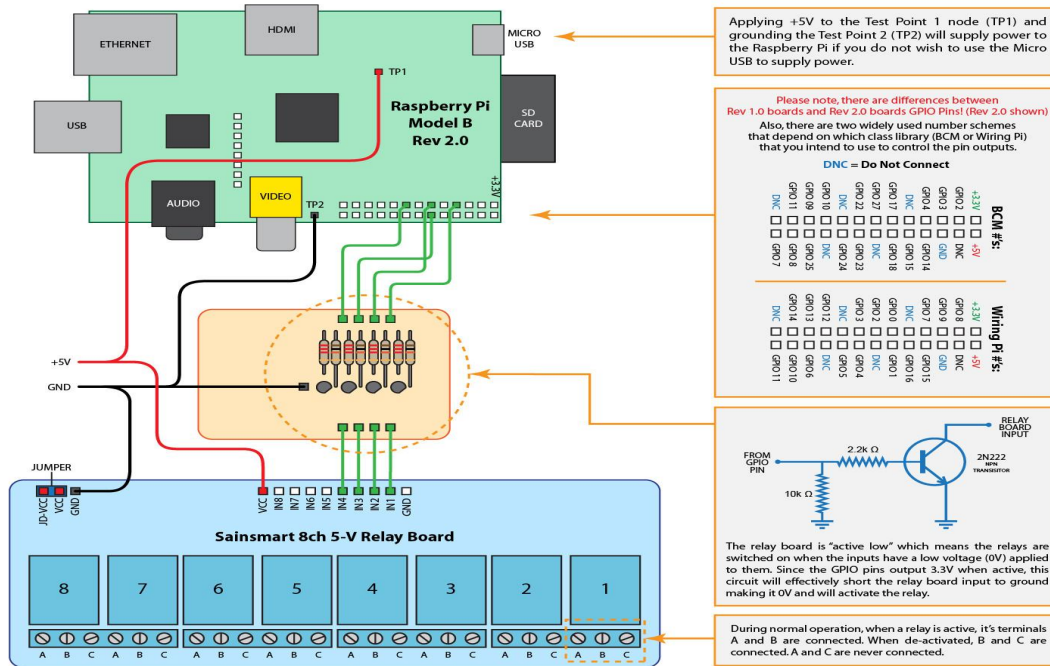
NOTE:

GPIO2 pull-down resistor must be enabled to prevent the pin state from floating.

Raspberry Pi P1 Header

PIN #	NAME		NAME	PIN #
	3.3 VDC Power	1	5.0 VDC Power	2
8	SDA0 (I2C)	3	DNC	4
9	SCL0 (I2C)	5	0V (Ground)	6
7	GPIO 7	7	TxD	15
	DNC	9	RxD	16
0	GPIO 0	11	GPIO1	1
2	GPIO2	13	DNC	
3	GPIO3	15	GPIO4	4
	DNC	17	GPIO5	5
12	MOSI	19	DNC	
13	MISO	21	GPIO6	6
14	SCLK	23	CE0	10
	DNC	25	CE1	11

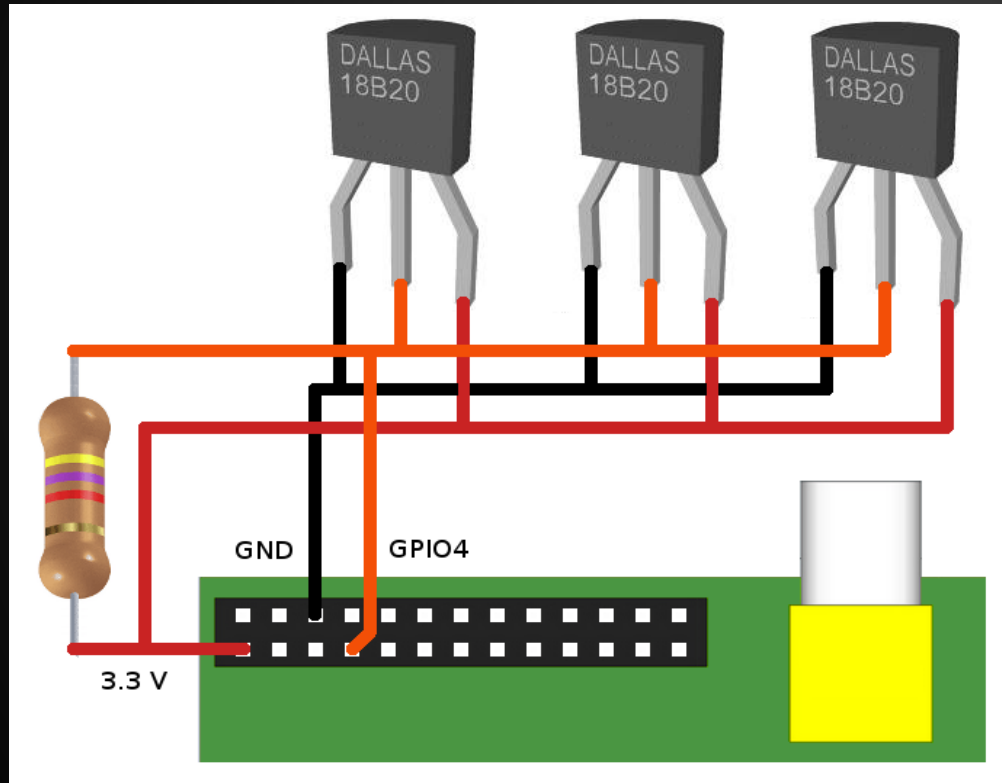
Elektronik



Få Specifikationer

- 20 GPIO
- 50 mA Totalt
- 16 mA pr GPIO
- 5 V
- Årligt 35 Kr i Strøm
- "Alt kan Styres"
- Mange sprog PY, Ruby, C, C++, PHP m.fl.

Temperatur



- 10 Stk
- Seriennummer identifikation
- -25 til 125 grader